

**LC-R0612P**



**Specifications**

Nominal voltage	6V	
Rated capacity (20 hour rate)	12.0Ah	
Dimensions	Length	151 mm
	Width	50 mm
	Height	94 mm
	Total Height	100 mm
Approx. mass	1.95 kg	
Country of origin	Republic of China	

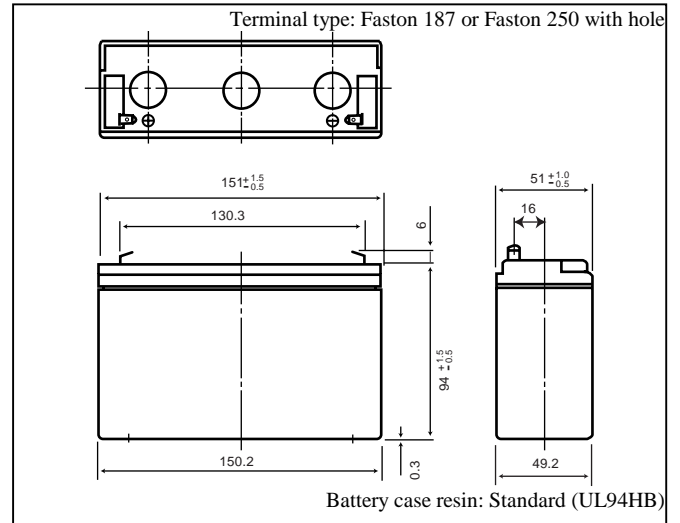
**Characteristics**

Capacity (note) (25°C)	20 hour rate (600mA)	12.0Ah	
	10 hour rate (1130mA)	11.3Ah	
Internal resistance	5 hour rate (2080mA)	10.4Ah	
	1 hour rate (8100mA)	8.1Ah	
	1.5 hour rate discharge Cut-off voltage 5.25 V	5.8A	
Temperature dependency of capacity (20 hour rate)	Fully charged battery (25°C)	Approx. 15mΩ	
	40°C	102 %	
	25°C	100 %	
	0°C	85 %	
Self discharge (25°C)	-15°C	65 %	
	Residual capacity after standing 3 months	91%	
	Residual capacity after standing 6 months	82%	
Charge Method (Constant Voltage)	Residual capacity after standing 12 months	64%	
	Cycle use (Repeating use)	Initial current	4.8 A or smaller
Trickle use	Control voltage	Constant voltage; 7.25 to 7.45 V (per 6V cell 25°C)	
	Control voltage	6.8 to 6.9 V (per 6V cell 25°C)	

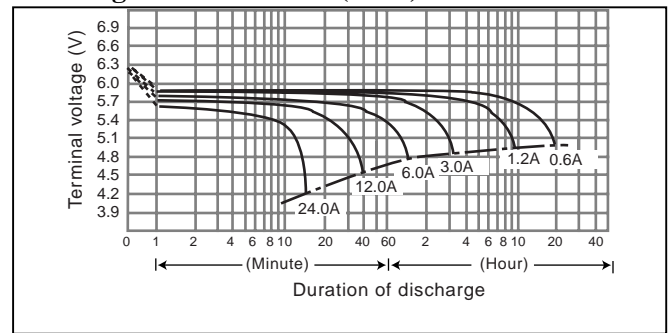
(Note) The above characteristics data are average values obtained within three charge/discharge Cycles not the minimum values.

For main and standby power supplies.  
Expected trickle life: 3-5 years at 25°C, 5 years at 20°C.

**Dimensions (mm)**



**Discharge characteristics (25°C) (note)**



**Duration of discharge vs. Discharge current (note)**

