

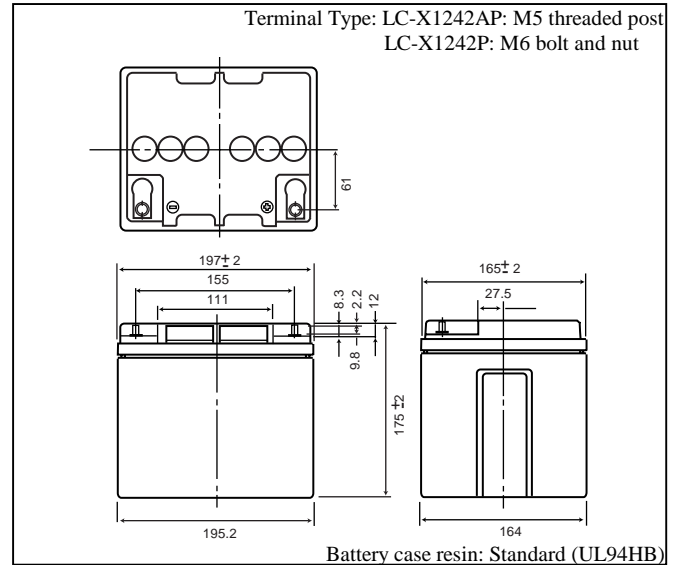
LC-X1242AP /LC-X1242P



(a) The photo and dimensions represent LC-X1242AP

For standby power supplies.
Expected trickle life: 6 years at 25°C, 10 years at 20°C.

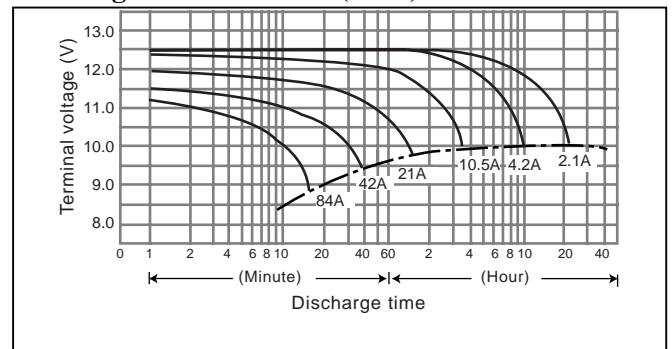
Dimensions (mm)



Specifications

Nominal voltage	12V	
Rated capacity (20 hour rate)	42Ah	
Dimensions	Length	197 mm
	Width	165 mm
	Height	175 mm
	Total Height	LC-X1242AP: 175 mm LC-X1242P: 180 mm
Approx. mass	Approx. 16.0 kg	
Country of origin	Republic of China	

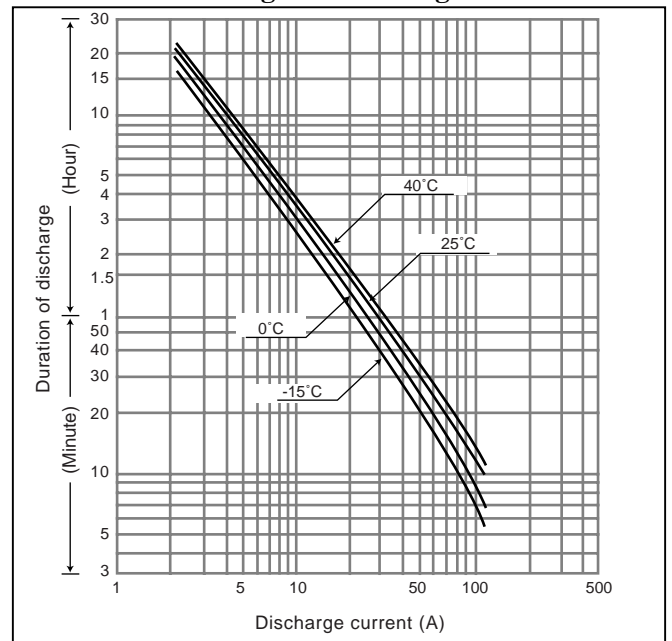
Discharge characteristics (25°C) (note)



Characteristics

Capacity (note) (25°C)	20 hour rate (2.1A)	42.0Ah
	10 hour rate (4.0A)	40.0Ah
Internal resistance	5 hour rate (7.4A)	37.0Ah
	1 hour rate (26.0A)	26.0Ah
Temperature dependency of capacity (20 hour rate)	1.5 hour rate discharge Cut-off voltage 10.5 V	15.5A
	Fully charged battery (25°C)	Approx. 8mΩ
	40°C	102 %
	25°C	100 %
Self discharge (25°C)	0°C	85 %
	-15°C	65 %
	Residual capacity after standing 3 months	91%
Charge Method (Constant Voltage)	Residual capacity after standing 6 months	82%
	Residual capacity after standing 12 months	64%
	Trickle use	Control voltage

Duration of discharge vs. Discharge current (note)



(Note) The above characteristics data are average values obtained within three charge/discharge Cycles not the minimum values.